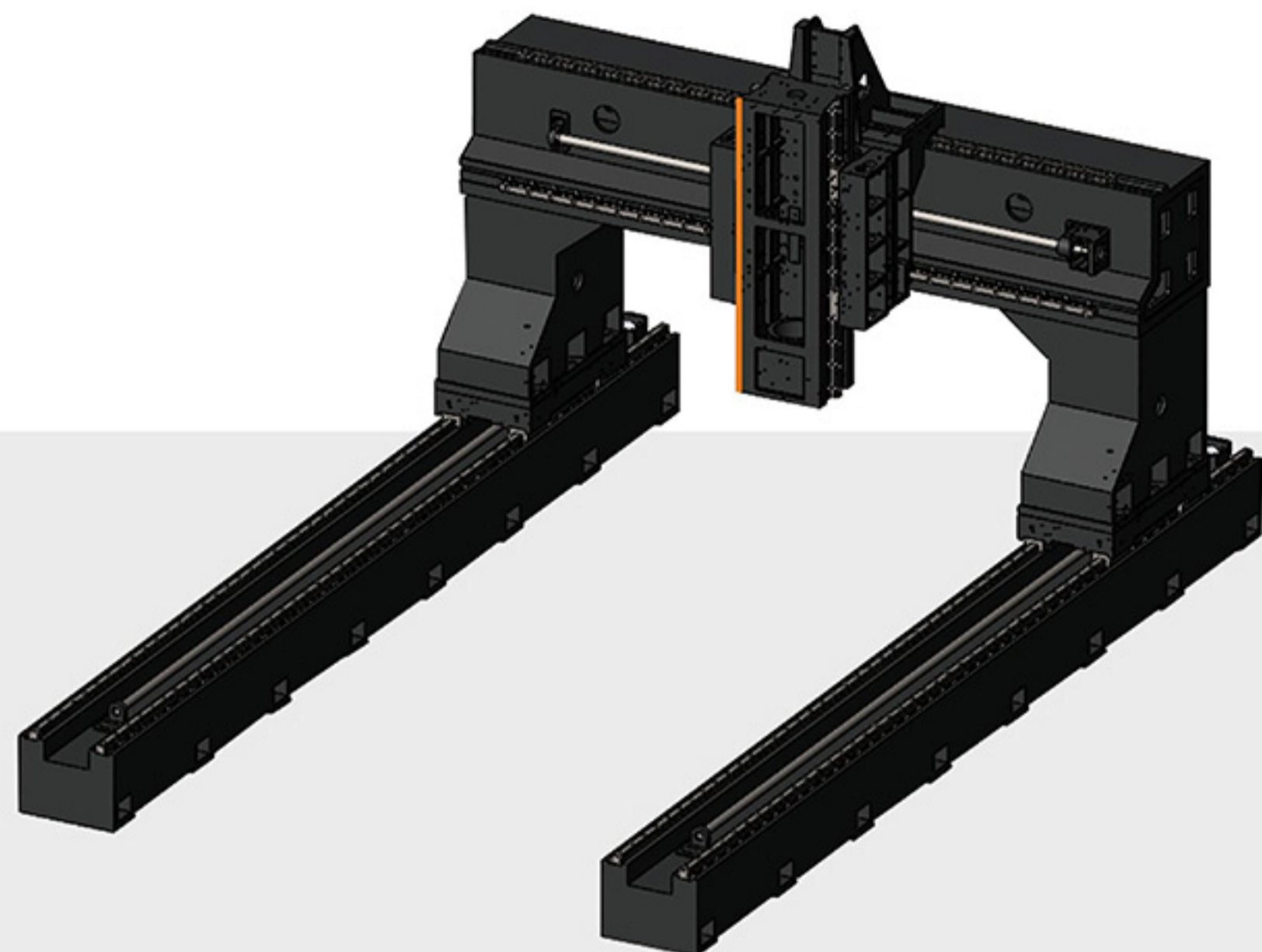


# SPLI CNC GANTRY DRILLING MACHINET

Simple and quick operation | Improve processing efficiency | Save labor | Reduce cost



## Characteristics and advantages of machine tools

This machine tool is arranged in a gantry column structure, with stable structure and space saving. The bed, crossbeam, saddle, and pillow are made of HT250 material and have undergone manual aging treatment.

## STABLE STRUCTRE AND SPACE SAVING

### SPECIFICATIONS

Project 项目	Machine tool specification 机床规格	YCLMZ-5000
Technical specifications 技术规格	Principal axis 主轴	B150
	Maximum drilling diameter 最大钻孔直径	φ 70 U drill φ 70 U钻
	Distance from spindle and face to workbench 主轴端面至工作台距离	The height of the workbench is determined 工作台放置高低决定
	X-axis stroke X轴行程	5000mm
	Y-axis stroke Y轴行程	5000mm
	Z-axis stroke Z轴行程	600mm
	T-slot spacing T型槽间距	300mm
	Servo spindle 伺服主轴	11KW
Machining precision 加工精度	Repeated positioning accuracy of machine tool 机床重复定位精度	± 0.02
	Machining position accuracy 加工位置精度	± 0.05
Main transmission 主传动	Transmission from 传动形式	Synchronous belt 同步带
	Spindle motor range(r/min) 主轴转速范围 (r/min)	300--6000
Numerical control system 数控控制系统	Kaiendi K1000MFii 凯恩帝 K1000MFii	
Feed from 进给形式	Actuating motor 伺服电机	15N.m/10N.m/7.7N.m
Machine tool shape 机床外形	Overall dimension of machinetool (length X width X height)(mm) 机床外形尺寸 (长X宽X高mm)	4300 × 3500 × 2700
Machine tool weight 机床重量		13 tons ( excluding workbench ) 13吨(不含工作台)